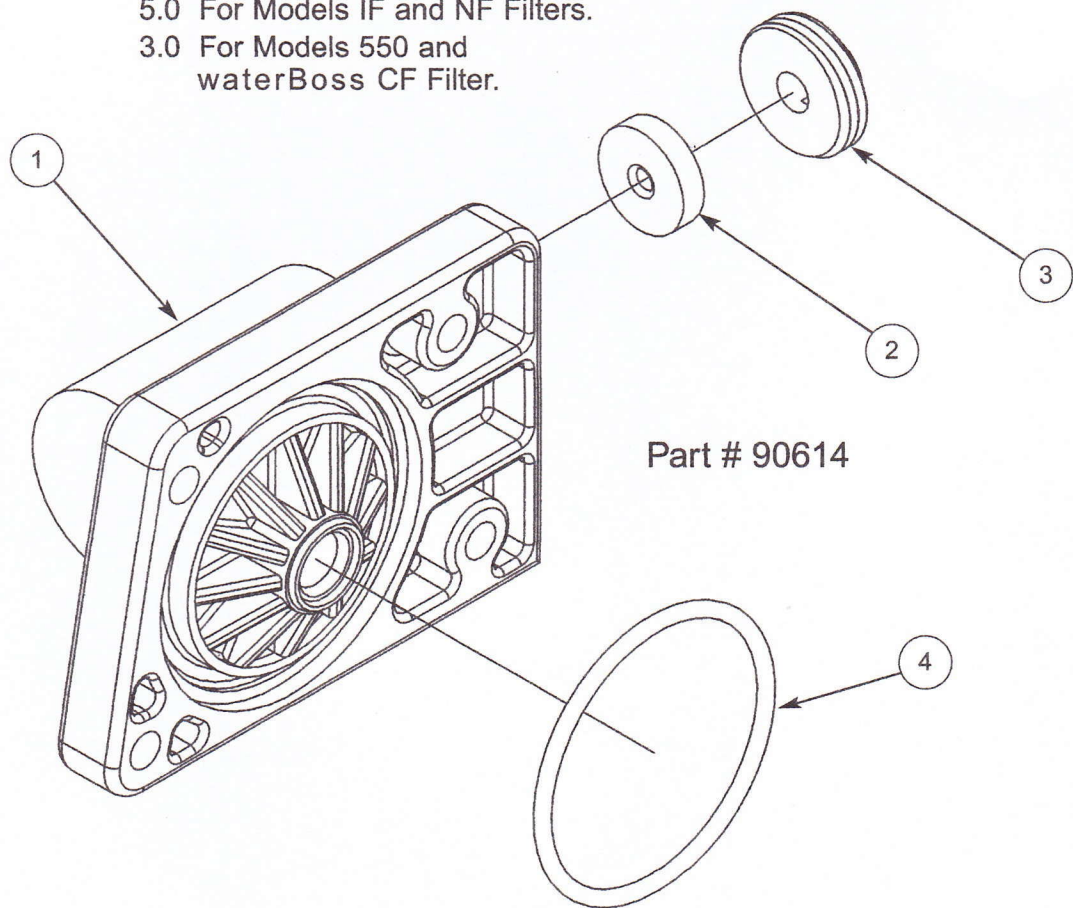


Drain End Cap Assembly

FIGURE#	PART#	DESCRIPTION	QUANTITY
1	90268	Drain End Cap (Threaded)	1
2	H2086-5.0	Drain Line Flow Control Button	1
	H2086-3.0	Drain Line Flow Control Button	1
3	90267	Retainer	1
4	93808	"O" Ring	1
	90614	Drain End Cap Assembly (1-4)	1
5	V185	Drain Line Fitting (not shown)	1

Flow Control Button Sizes:
 5.0 For Models IF and NF Filters.
 3.0 For Models 550 and
 waterBoss CF Filter.



When calling the HelpLine, please have this guide and the serial number available. From 8 am to 5 pm EST, call 1-800-437-8993. Your serial number may be found on top of your valve assembly (See figures 2-3.)