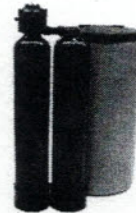




Kineticco® Series Models	2020c HE	2020c HF	AquaKinetic® Q237	2040s OD
Certifications	NSF 44	NSF 44	NSF 61	NSF 44 WQA 44
Class	DIR	DIR	DIR	DIR
Efficiency 3350	Yes			Yes
Flow Rate	6.0 gpm	9.1 gpm	9.0	11 gpm
Max. Hardness	30 gpg	20 gpg	37 gpg	44 gpg
Inlet Size	¾" - 1"	¾" - 1"	¾" - 1"	¾" - 1½"
Tank Size	6" x 13"	6" x 13"	8" x 18"	8" x 17"
Distributor Size	1"	1"	1"	1"
Resin Quantity	0.16 cf x 2	0.16 cf x 2	0.30 cf x 2	0.4 cf x 2
Underbed	No	No	No	No
Capacities	gr / lbs. / gpp	gr / lbs. / gpp	gr / lbs. / gpp	gr / lbs. / gpp
Minimum	2177 / .5 / 4355	1400 / .5 / 2800	4015 / 1 / 4015	
Maximum	2775 / .75 / 3700	1870 / .75 / 2493	4366 / 1.25 / 3493	5222 / 1.0 / 5222
Valve Type	1.0" 3 cycle NE	1.0" 3 cycle NE	1.0" 3 cycle NE	1.25" 3 cycle NE
Cycle Initiation	Meter	Meter	Meter	Meter
Regen Water / Time	5 gal. / 11 min.	5 gal. / 11 min.	19 gal. / 29 min.	7 gal. / 11 min.
Max Drain Flow	0.9 gpm	0.9 gpm	2.2 gpm	1.6 gpm
Electrical	None	None	None	None



Kinetico® Series Models	2040c	2030s	2060s	2060s OD
Certifications		NSF 44 WQA 44	NSF 44 WQA 44	NSF 44 WQA 44
Class	DIR	DIR	DIR	DIR
Efficiency 3350	Yes	Yes	Yes	Yes
Flow Rate	11 gpm	9 gpm	11.5 gpm	20 gpm
Max. Hardness	44 gpg	45 gpg	66 gpg	30 gpg
Inlet Size	¾" – 1½"	¾" – 1½"	¾" - 1½"	¾" - 1½"
Tank Size	8 x 17"	7" x 35"	8" x 40"	8" x 40"
Distributor Size	1"	1"	1"	1"
Resin Quantity	0.47 cf x 2	0.47 cf x 2	0.7 cf x 2	0.7 cf x 2
Underbed	No	No	No	No
Capacities	gr / lbs. / gpp	gr / lbs. / gpp	gr / lbs. / gpp	gr / lbs. / gpp
Minimum		7673 / 1.8 / 4263	11500 / 2.7 / 4259	11500 / 2.7 / 4259
Maximum	5222 / 1.0 / 5222	9802 / 2.7 / 3630	15813 / 4.0 / 3953	15813 / 4.0 / 3953
Valve Type	1.25" 3 cycle NE	1.0" 3 cycle NE	1.25" 3 cycle NE	1.25" 3 cycle NE
Cycle Initiation	Meter	Meter	Meter	Meter
Regen Water / Time	7 gal. / 11 min.	29 gal. / 40 min.	35 gal. / 45 min.	35 gal. / 45 min.
Max Drain Flow	1.6 gpm	1.6 gpm	2.2 gpm	2.2 gpm
Electrical	None	None	None	None

Residential Softeners



Kineticco Series Models	2100s	2100s OD	2175s
Certifications	NSF 44 WQA 44	NSF 44 WQA 44	NSF 44 WQA 44
Class	DIR	DIR	DIR
Efficiency 3350	Yes	Yes	Yes
Flow Rate	12 gpm	21 gpm	16 gpm
Max. Hardness	107 gpg	57 gpg	175 gpg
Inlet Size	¾" - 1½"	¾" - 1½"	1" - 1½"
Tank Size	10 x 54	10 x 54	13 x 54
Distributor Size	1"	1"	1"
Resin Quantity	1.5 cf x 2	1.5 cf x 2	2.25 cf x 2
Underbed	No	No	25 lbs. x 2
Capacities	gr / lbs. / gpp	gr / lbs. / gpp	gr / lbs. / gpp
Minimum	24612 / 5.5 / 4474	24612 / 5.5 / 4474	39125 / 8.5 / 4603
Maximum	41087 / 10 / 4108	41087 / 10 / 4108	81845 / 30 / 2728
Valve Type	1.25" 3 cycle NE	1.25" 3 cycle NE	1.25" 3 cycle NE
Cycle Initiation	Meter	Meter	Meter
Regen Water / Time	102 gal. / 90 min.	102 gal. / 90 min.	142 gal. / 90 min.
Max Drain Flow	3.2 gpm	3.2 gpm	5.2 gpm
Electrical	None	None	None

Abbreviations: gr Grains of hardness removed per cycle.
 lbs Pounds of NaCl used per cycle.
 Gpp Grains of hardness removed per pound of salt per cycle.

Notes: All models countercurrent regeneration. Additional salt settings available.

Warranty: 10 years. Resin 10 years if carbon combination system or preceded by dechlorinator, otherwise 7 years.

System Components

Media Vessel (qty) Size.....	(2) 8" x 18"
Media Vessel Construction.....	Fiberglass Wrapped Engineered Plastic
Empty Bed Volume	0.40 ft ³
Media Type	Non Solvent Cation Resin
Media Volume	0.30 ft ³
Bed Depth.....	12"
Free Board.....	5"
Riser Tube	1" ABS
Distributor Upper.....	0.014" Slots, Engineered Plastic Basket
Lower	0.014" Slots, Engineered Plastic Basket
Under-bedding	None
Regeneration Control	Non-electric Use Meter
Regeneration Type.....	Countercurrent
Meter Type.....	0.30 - 25.00 gpm Polypropylene Turbine

Inlet Water Quality

Pressure Range	15 - 125 psi Dynamic Pressure
Temperature Range	35 - 120° F
pH Range.....	5 - 10 SU
Free Chlorine Cl ₂ (Max.).....	2.0 mg/L
Hardness as CaCO ₃ (Max.).....	37 gpg

Operating Specs

Flow Range (15 / 30 psig)	8 - 12 gpm
Flow Configuration	Alternating
Dimensions (width x depth x height).....	17" x 8" x 24"
Weight (Operating / Shipping)	120 / 80 lbs.

Connections

Inlet / Outlet Connections	Custom Adapter and Bracket
Drain Connection	0.5" Tube
Brine Line Connection.....	0.375" Tube
Power	None

System Part Numbers

Q237, 18" x 35" brine drum	13385
Q237, 12" x 16" x 20" brine drum.....	13386
Q237, no brine drum	13387

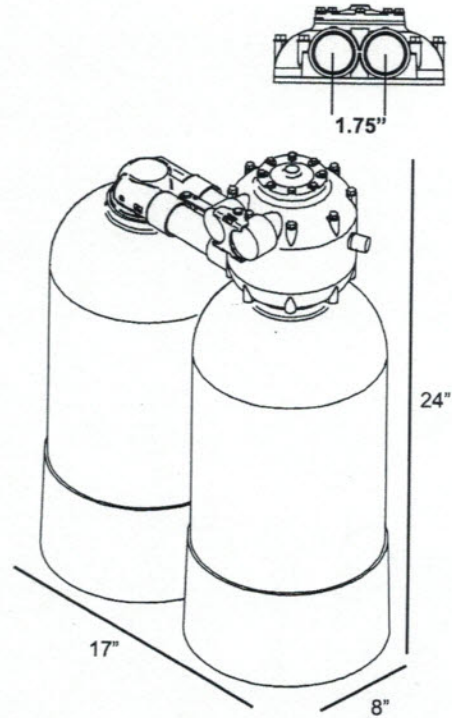
Brine Tank Options

Tank Description	12 x 40	12 x 16 x 20	18 x 35
Brine Tank Part Number.....	1479B	7202	7938
Tank Height.....	40"	20"	35"
Tank Footprint.....	12" DIA.	12 x 16"	18" DIA
Material	HDPE	HDPE	HDPE
Salt Capacity.....	100 lbs.	50 lbs.	250 lbs.

Regeneration Specifications

Regeneration Volume	19 gallons
Regeneration Time.....	29 minutes
Backwash Flow Control.....	2.00 gpm
Brine Refill Flow Control.....	0.40 gpm

Setting	Capacity	Efficiency	Dosing	Meter Disc
1.0 lbs.	4,015 grains	4,015 gr./lb.	3.3 lbs./ft ³	
1.25 lbs.	4,366 grains	3,493 gr./lb.	4.2 lbs./ft ³	
Gallons/Regeneration:				



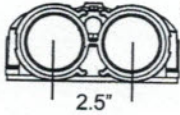
Disc Selection
(Compensated Hardness*)

1	2	3	4	5	6	7	8
4	8	12	16	20	24	27	30
5	10	15	20	24	29	33	37
732	366	244	183	146	122	105	92

*Compensated hardness in gpg = Hardness + (3 x Fe in mg/L)

System Components

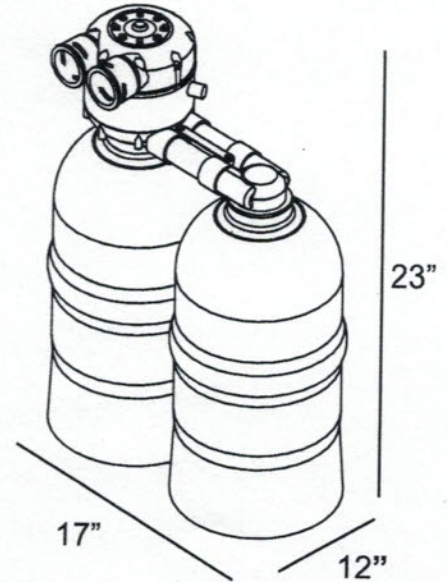
Media Vessel (qty) Size.....	(2) 8 x 17"
Media Vessel Construction.....	Engineered Plastic
Empty Bed Volume.....	0.40 ft ³
Media Type.....	Fine Mesh Cation Resin
Media Volume.....	0.40 ft ³
Bed Depth.....	Packed
Free Board.....	None
Riser Tube.....	1" ABS
Distributor Upper.....	0.009" Slots, Engineered Plastic Basket
Lower.....	0.009" Slots, Stainless Steel Flat Plate
Under bedding.....	None
Regeneration Control.....	Non-electric Use Meter
Regeneration Type.....	Countercurrent
Meter Type.....	0.3 - 25.00 gpm Polypropylene Turbine


Inlet Water Quality

Pressure Range.....	15 - 125 psi Dynamic Pressure
Temperature Range.....	35 - 120° F
pH Range.....	5 - 10 SU
Free Chlorine Cl ₂ (Max.).....	2.0 mg/L
Hardness as CaCO ₃ (Max.).....	44 gpg

Operating Specs

Flow Range (15 / 30 psig).....	11.0 - 15.0 gpm
Flow Configuration.....	OverDrive
Dimensions (width x depth x height).....	17 x 8 x 23"
Weight (Operating / Shipping).....	120 / 90 lbs.


Connections

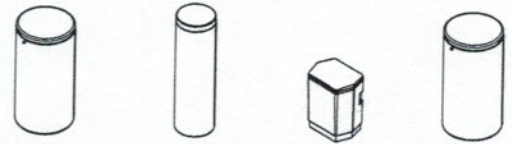
Inlet / Outlet Connections.....	Custom Adapter and Bracket
Drain Connection.....	0.5" Tube
Brine Line Connection.....	0.375" Tube
Power.....	None

System Part Numbers

Kinetico 2040s OD, 12 x 16 x 20 brine tank.....	11120
Kinetico 2040s OD, no brine tank.....	11121
Kinetico 2040s OD, no resin, no brine tank.....	12526

Brine Tank Options

Tank Description.....	K-Spray	12 x 40	12 x 16 x 20	18 x 35
Brine Tank Part Number.....	9763A	1479B	7202	7938
Tank Height.....	35"	40"	20"	35"
Tank Footprint.....	18" DIA	12" DIA	12 x 16"	18" DIA
Material.....	HDPE	HDPE	HDPE	HDPE
Salt Capacity.....	200 lbs.	100 lbs.	50 lbs.	250 lbs


Regeneration Specifications

Regeneration Volume.....	7 gallons
Regeneration Time.....	11 minutes
Backwash Flow Control.....	1.40 gpm
Brine Refill Flow Control.....	0.40 gpm

Setting	Capacity	Efficiency	Dosing	Meter Disc
1.0 lbs.	5,222 grains	5,222 gr./lb.	2.5 lbs./ft ³	
			Gallons/Regeneration:	

Disc Selection

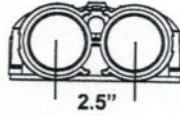
(Compensated Hardness*)

1	2	3	4	5	6	7	8
7	15	21	27	31	36	40	44
657	329	219	164	131	109	94	82

*Compensated hardness in gpg = Hardness + (3 x Fe in mg/L)

System Components

Media Vessel (qty) Size..... (2) 8 x 17"
 Media Vessel Construction.....Fiberglass Wrapped Engineered Plastic
 Empty Bed Volume 0.40 ft³
 Media TypeFine Mesh Cation Resin
 Media Volume..... 0.40 ft³
 Bed Depth..... Packed
 Free Board.....None
 Riser Tube 1" ABS
 Distributor Upper0.009" Slots, Engineered Plastic Basket
 Lower 0.009" Slots, Stainless Steel Flat Plate
 Under beddingNone
 Regeneration Control..... Non-electric Use Meter
 Regeneration Type.....Countercurrent
 Meter Type.....0.3 - 25.00 gpm Polypropylene Turbine



Inlet Water Quality

Pressure Range 15 - 125 psi Dynamic Pressure
 Temperature Range 35 - 120° F
 pH Range.....5 - 10 SU
 Free Chlorine Cl₂ (Max.).....2.0 mg/L
 Hardness as CaCO₃ (Max.)..... 44 gpg

Operating Specs

Flow Range (15 / 30 psig)11.0 - 15.0 gpm
 Flow Configuration OverDrive
 Dimensions (width x depth x height)..... 11.42" x 11.42" x 27.19"
 Weight (Operating / Shipping) 100 / 81 lbs.

Connections

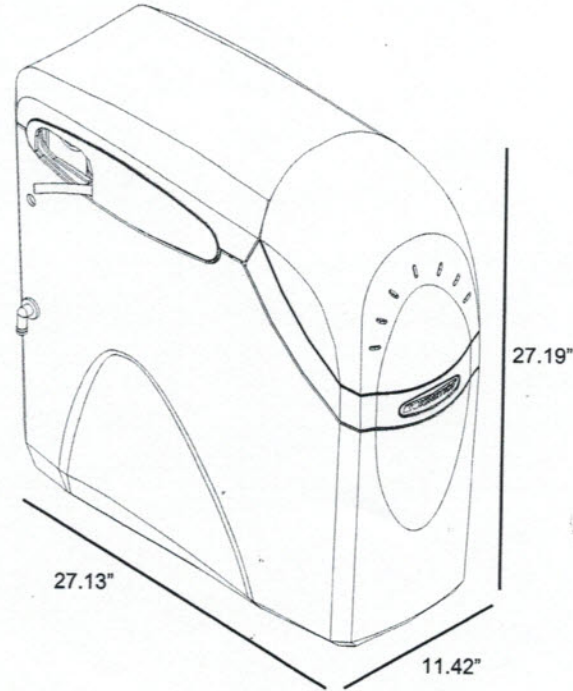
Inlet / Outlet Connections Custom Adapter and E-clip
 Drain Connection 0.5" Tube
 Brine Line Connection..... 0.375" Tube
 PowerNone

System Part Numbers

Kinetico 2040c 12502

Regeneration Specifications

Regeneration Volume 7 gallons
 Regeneration Time..... 11 minutes
 Backwash Flow Control.....1.40 gpm
 Brine Refill Flow Control.....0.40 gpm



Setting	Capacity	Efficiency	Dosing	Meter Disc
1.0 lbs.	5,222 grains	5,222 gr./lb.	2.5 lbs./ft ³	
			Gallons/Regeneration:	

Disc Selection

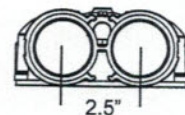
(Compensated Hardness*)

1	2	3	4	5	6	7	8
7	15	21	27	31	36	40	44
657	329	219	164	131	109	94	82

*Compensated hardness in gpg = Hardness + (3 x Fe in mg/L)

System Components

Media Vessel (qty) Size.....	(2) 7 x 35"
Media Vessel Construction.....	Wrapped Polyethylene
Empty Bed Volume	0.70 ft ³
Media Type	Non Solvent Cation Resin
Media Volume.....	0.47 ft ³
Bed Depth.....	22"
Free Board.....	13"
Riser Tube	1" ABS
Distributor Upper.....	0.014" Slots, ABS Basket
Lower.....	0.014" Slots, ABS Basket
Under bedding	None
Regeneration Control	Non-electric Use Meter
Regeneration Type.....	Countercurrent
Meter Type.....	0.30 - 25.00 gpm Polypropylene Turbine



Inlet Water Quality

Pressure Range	15 - 125 psi Dynamic Pressure
Temperature Range	35 - 120° F
pH Range.....	5 - 10 SU
Free Chlorine Cl ₂ (Max.).....	2.0 mg/L
Hardness as CaCO ₃ (Max.).....	45 gpg

Operating Specs

Flow Range (15 / 30 psig)	9 - 15 gpm
Flow Configuration	Alternating
Dimensions (width x depth x height).....	15 x 7 x 41"
Weight (Operating / Shipping).....	140 / 105 lbs.

Connections

Inlet / Outlet Connections	Custom Adapter and Bracket
Drain Connection	0.5" Tube
Brine Line Connection.....	0.375" Tube
Power	None

System Part Numbers

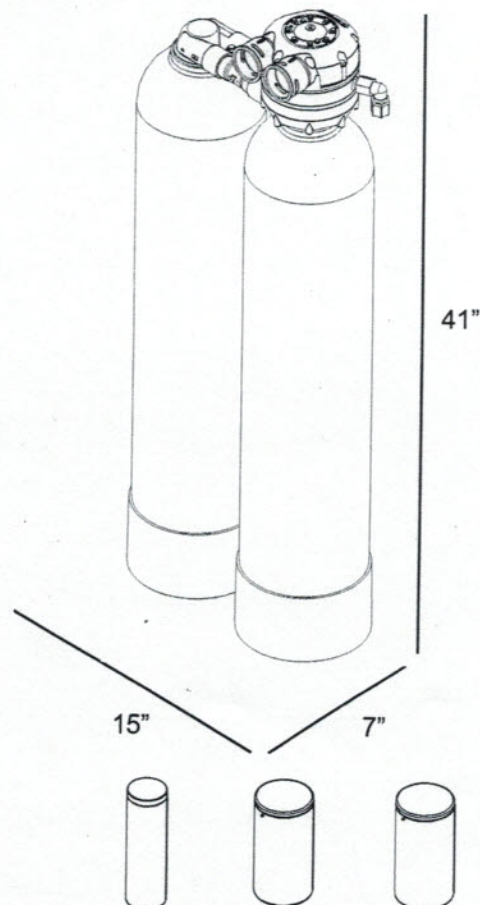
Kinetico 2030s, 18 x 35 brine drum	11020A
Kinetico 2030s, 12 X 40 brine drum.....	11084A
Kinetico 2030s, K-Spray.....	11081A
Kinetico 2030s, no brine drum.....	11021A
Kinetico 2030s, no brine drum, no resin	11083A

Brine Tank Options

Tank Description	12 x 40.....	K-Spray	18 x 35
Brine Tank Part Number.....	1479B.....	1479B.....	7938
Tank Height.....	40".....	35".....	35"
Tank Footprint.....	12" DIA.....	18" DIA.....	18" DIA
Material	HDPE.....	HDPE.....	HDPE
Salt Capacity.....	100 lbs.....	200 lbs.....	250 lbs.

Regeneration Specifications

Regeneration Volume	29 gallons
Regeneration Time.....	40 minutes
Backwash Flow Control.....	1.40 gpm
Brine Refill Flow Control.....	0.40 gpm



Setting	Capacity	Efficiency	Dosing	Meter Disc
**1.8 lbs.	7,867 grains	4,371 gr./lb.	3.8 lbs./ft ³	
2.4 lbs.	8,900 grains	3,708 gr./lb.	5.1 lbs./ft ³	
**2.7 lbs.	9,802 grains	3,630 gr./lb.	5.7 lbs./ft ³	
3.00 lbs.	10,500 grains	3,500 gr./lb.	6.4 lbs./ft ³	

Gallons/Regeneration:

Disc Selection							
(Compensated Hardness*)							
1	2	3	4	5	6	7	8
4	10	14	19	23	27	31	34
5	11	16	22	26	31	35	39
6	12	18	23	28	33	38	43
7	13	19	25	30	36	41	45
1,253	627	418	313	251	209	179	157

** Settings certified by NSF and or WQA

*Compensated hardness in gpg = Hardness + (3 x Fe in mg/L)